

MATCHUP

HI-TECH BRAKE SOLUTIONS MADE IN EUROPE



GO AHEAD

SUZUKI DL 1000 V-Strom

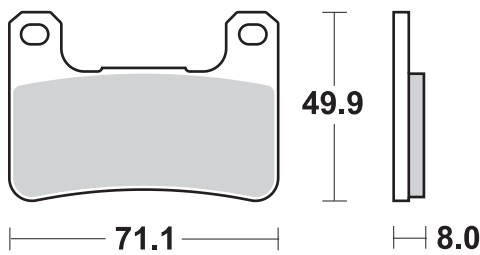


					RECOMMENDED	
SUZUKI						
DL	1000	V-Strom		14 - 19	806 SP*	833 LS

* = 2 sets required / 2 jeux pour l'Avant.

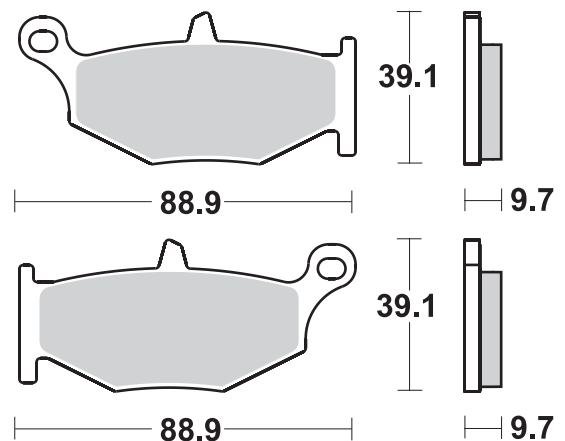
Available compounds

SBS 806 HS • SP



Available compounds

SBS 833 HF • LS



@sbsbrakes | sbsbrakes.com | #GoAhead